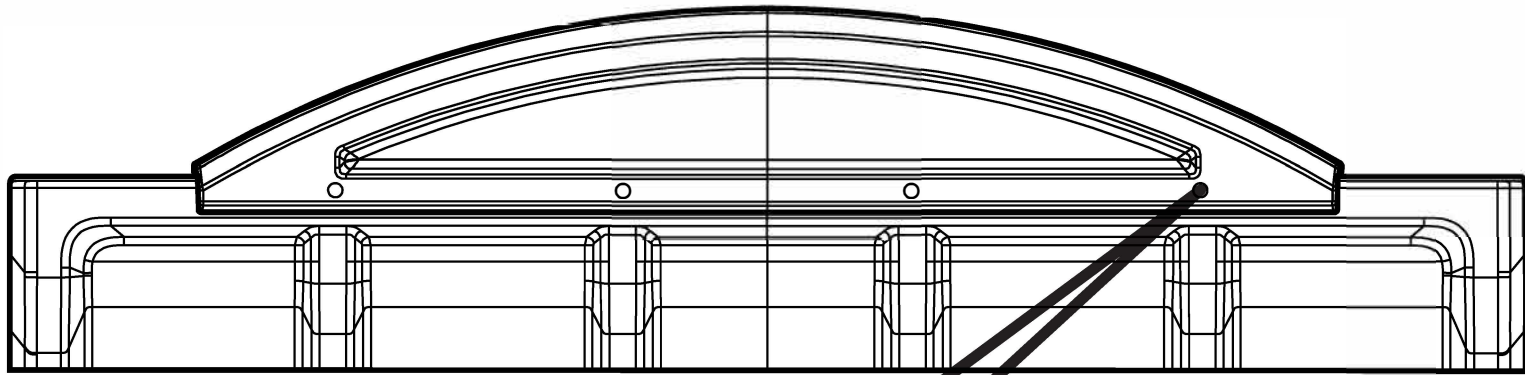


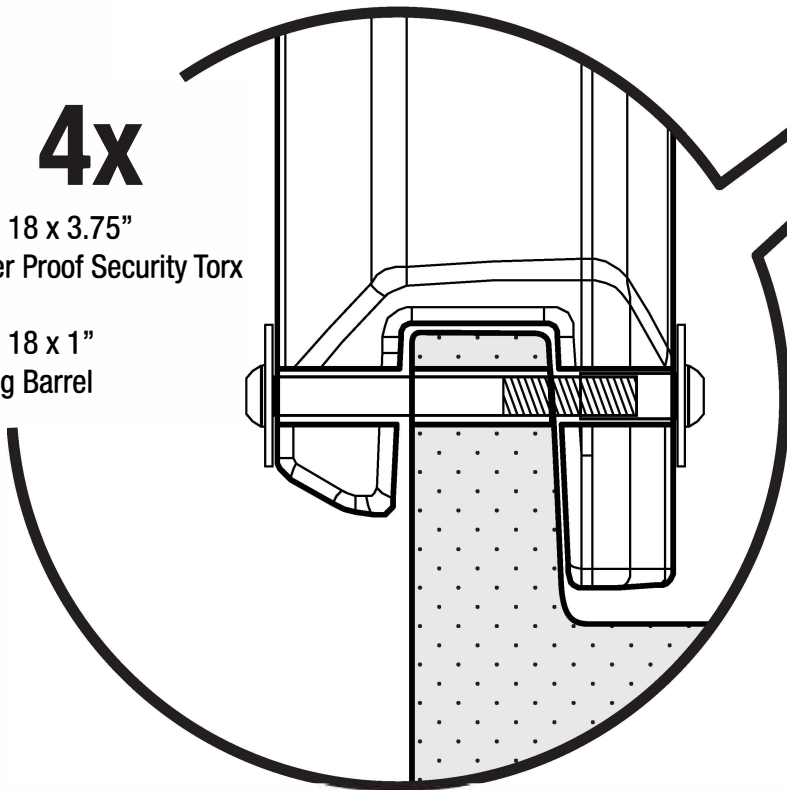
Endurance Wall Bunk

CORTECH

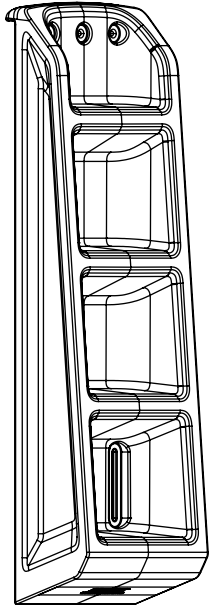


4x

5/16 - 18 x 3.75"
Tamper Proof Security Torx
Bolt
5/16 - 18 x 1"
Binding Barrel

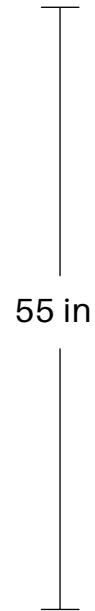
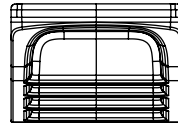


1. Align bunk railing to the center of the bunk and use the bolt holes to mark drill locations on the bunk surface.
2. Drill through the bunk wall at each point and blow holes clear.
3. Realign the railing and insert a bolt into each hole. Make sure to go through both the railing and bunk surfaces.
4. Insert a binding barrel into the other end of each hole and use fingers to secure the binding to the end of the bolt.
5. Tighten the binding by turning the head 3 to 5 turns past finger tight.

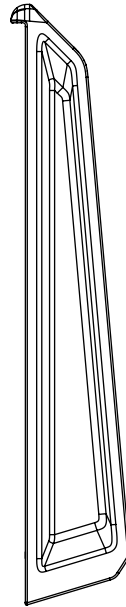


SA: 3438.6967 in²
V: 3197.4304 in³

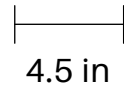
Top View



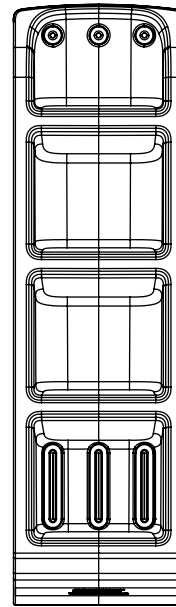
55 in



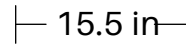
Left View



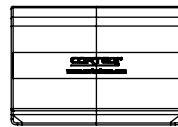
4.5 in



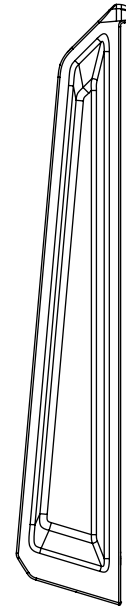
Front View



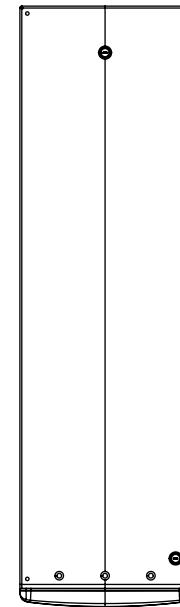
15.5 in



Bottom View



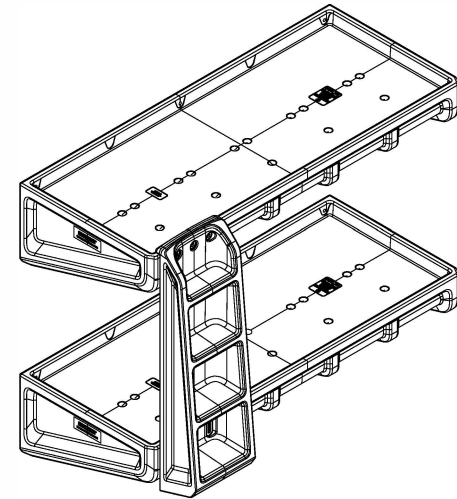
Right View



Rear View

Endurance Wall Bunk Ladder

CORTECH



You will need:

Not Included:



1x
Pencil
For Marking Bolt Locations



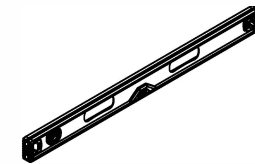
1x
Drill
With 3/8" Drill Bit



1x
Screwdriver
With T40 Torx Bit



1x
Screwdriver
With T45 Torx Bit



1x
Bar level or laser level

Included:



12x
3/8" Washer
0.4" ID 1.5" OD



6x
5/16" - 18 x 2"
Security Torx Bolts



6x
3/8" OD x 3/4"
Tamper Resistant Binding Barrel

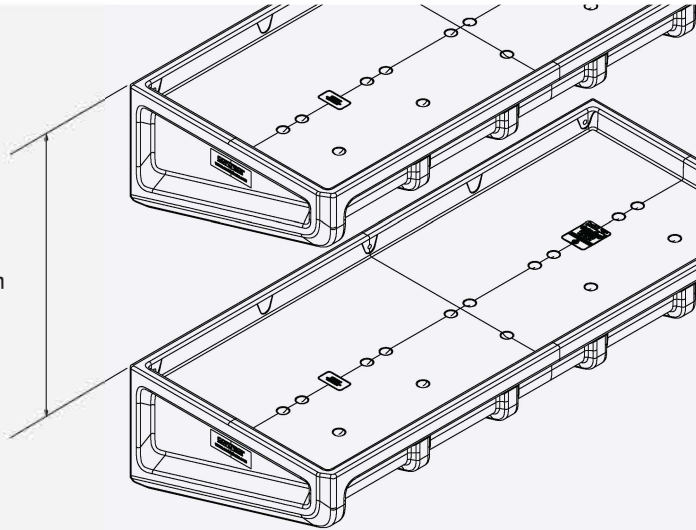


1x
Bunk Ladder

Endurance Wall Bunk Ladder Installation

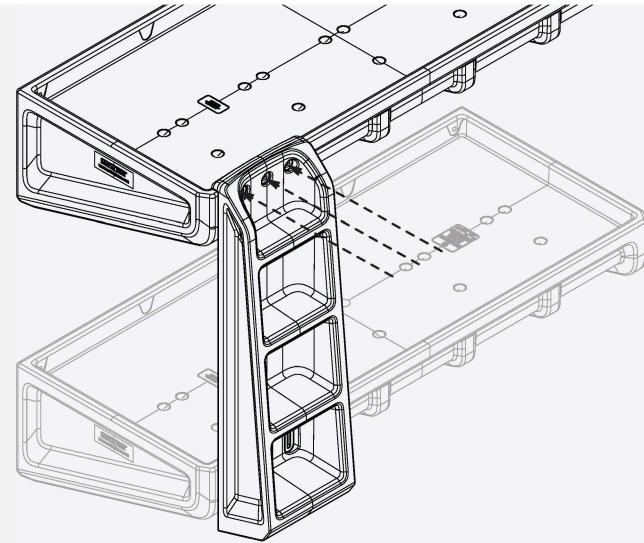
1.

39in - 44in
Top to top



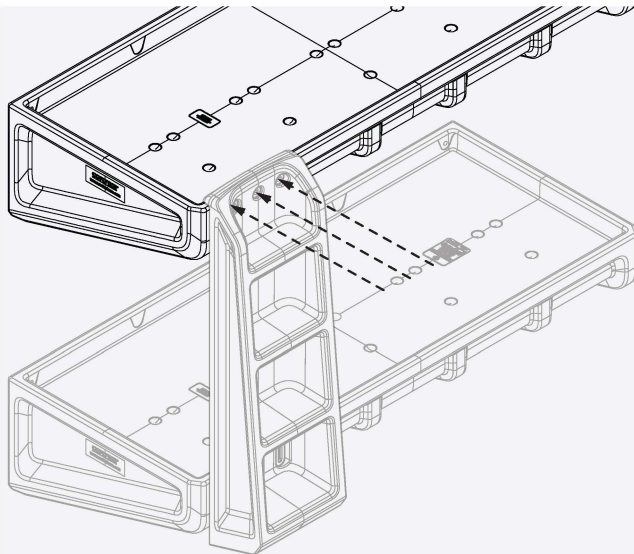
Before placing the ladder make sure the top edges of each bunk are spaced between 39 and 44 inches apart.

2.



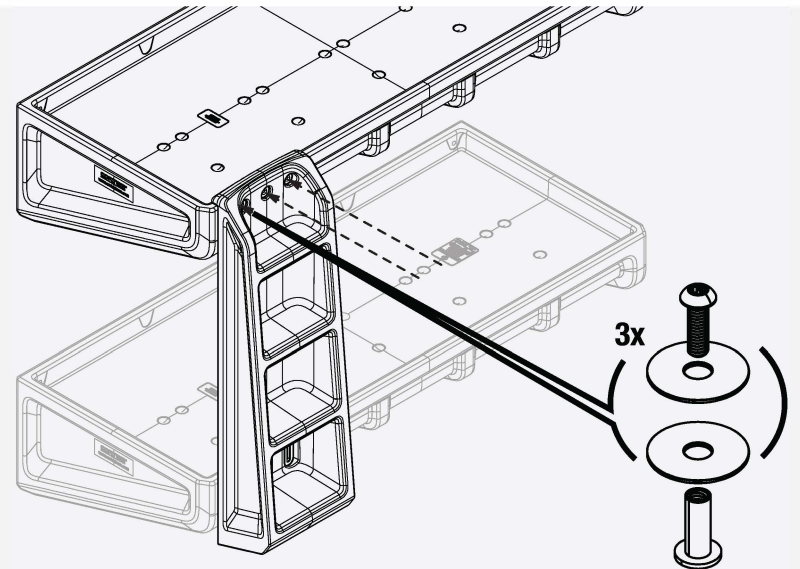
Align the bunk ladder to the end of the top wall bunk. Use the mounting holes to mark screw locations on the bunk.

3.



Remove the ladder and drill through the bunk side at marked location. Clear the holes of any dust and debris.

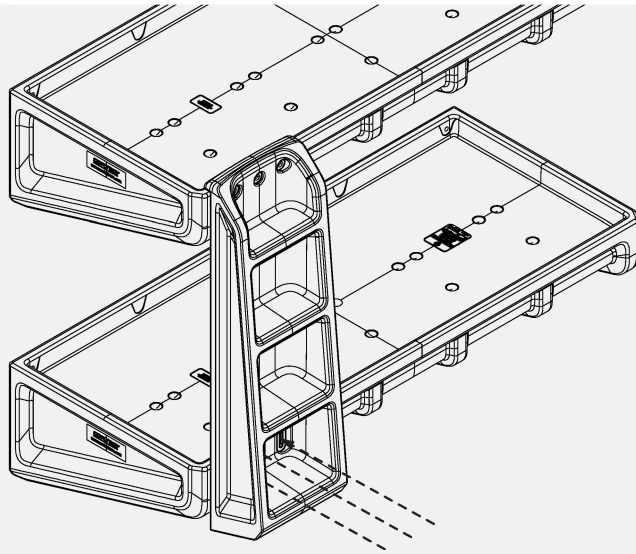
4.



Replace bunk ladder and insert through bolt from the rear side so the head of the bolt is facing into the bunk. Secure each bolt on the opposite end using a binding barrel.

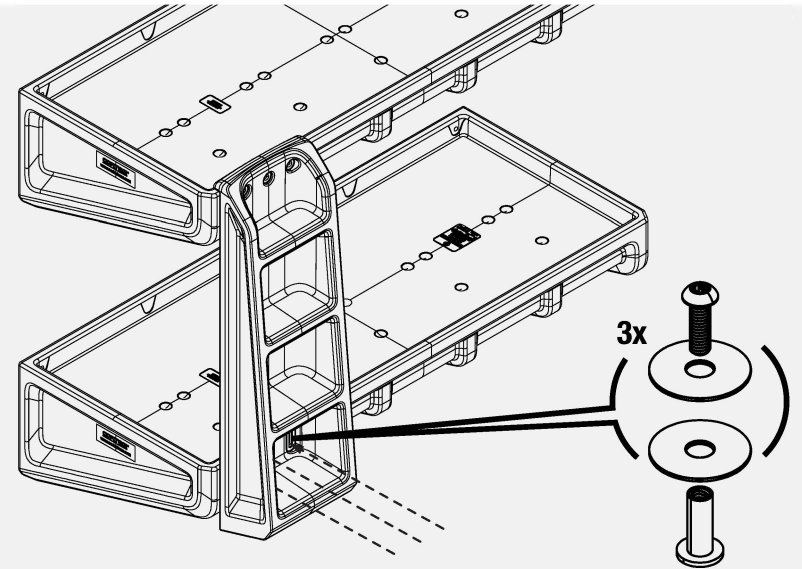
Endurance Wall Bunk Ladder Installation

5.



Use a level to mark drill points on the lower mounting channels. Drill through the ladder and bunk at marked locations. Clear holes of any dust and debris.

6.

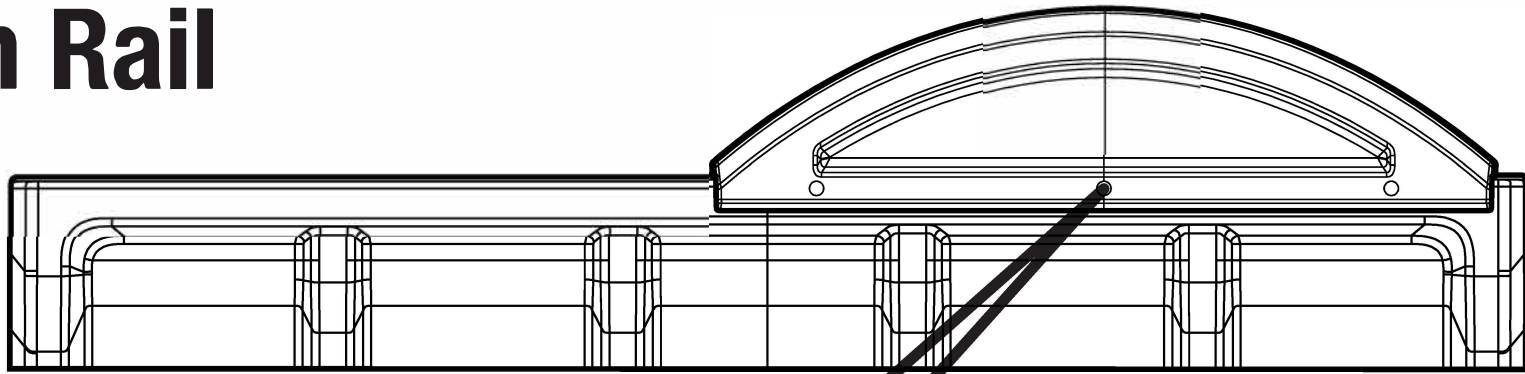


Insert through bolt from the rear side so the head of the bolt is facing into the bunk. Secure each bolt on the opposite end using a binding barrel.

Endurance Wall Bunk

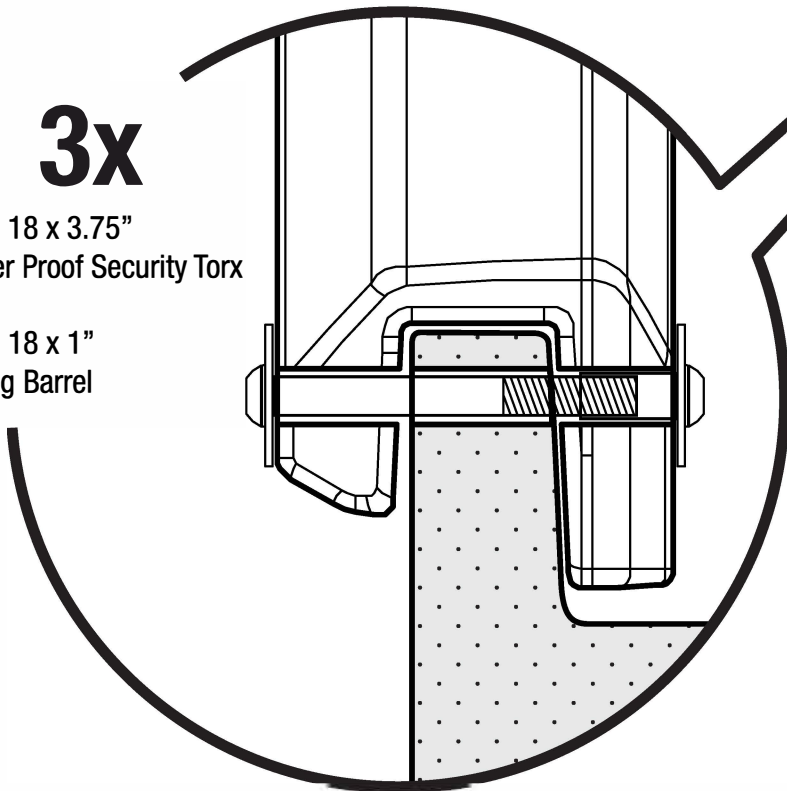
42in Rail

CORTECH



3x

5/16 - 18 x 3.75"
Tamper Proof Security Torx
Bolt
5/16 - 18 x 1"
Binding Barrel



1. Align bunk railing to desired location of the bunk and use the bolt holes to mark drill locations on the bunk surface.
2. Drill through the bunk wall at each point and blow holes clear.
3. Realign the railing and insert a bolt into each hole. Make sure to go through both the railing and bunk surfaces.
4. Insert a binding barrel into the other end of each hole and use fingers to secure the binding to the end of the bolt.
5. Tighten the binding by turning the head 3 to 5 turns past finger tight.

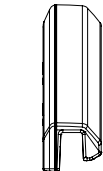
42" Wall Bunk Safety Rail



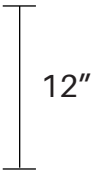
Top View



Front View



Left View



12"



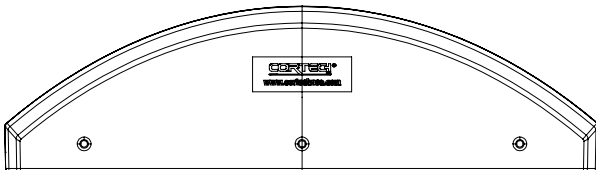
Right View



Bottom View



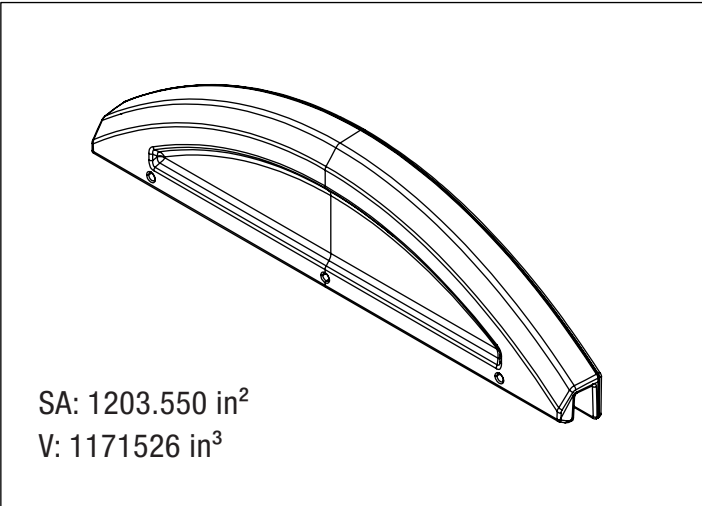
4"



Back View



42"



SA: 1203.550 in²

V: 1171526 in³